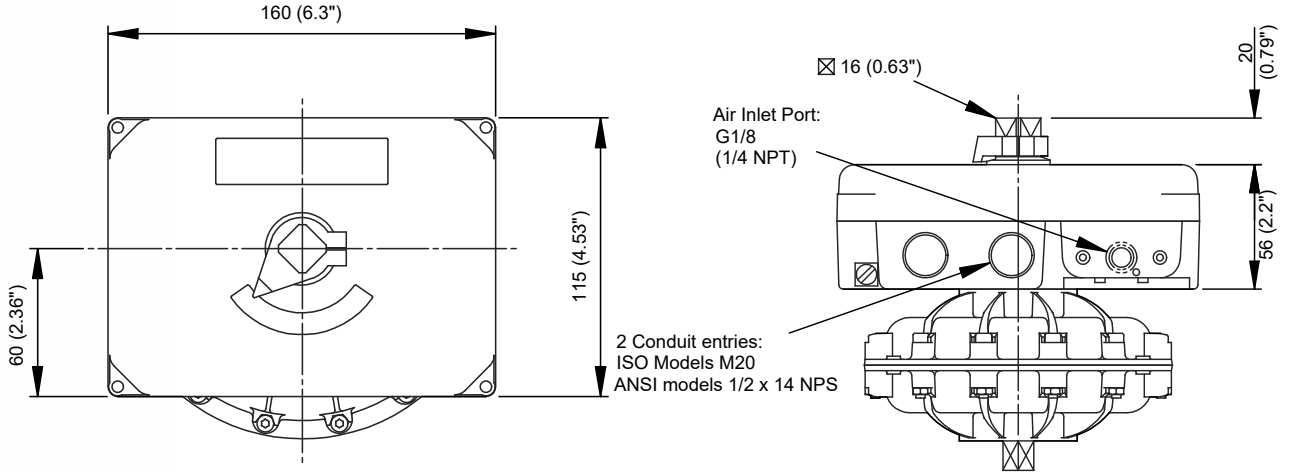


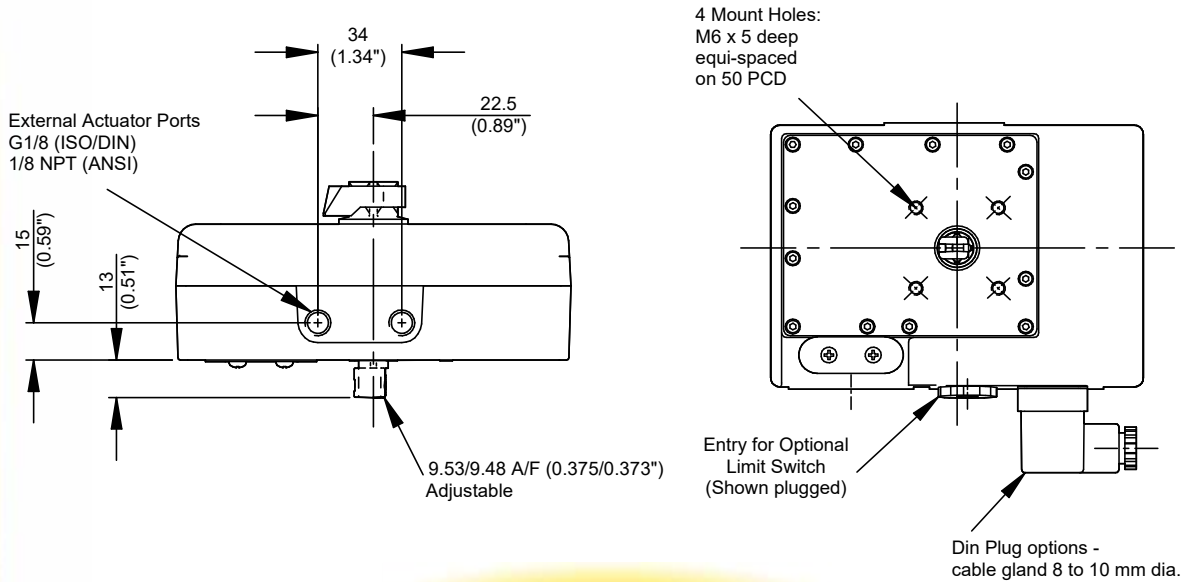
EL Positioner Dimensions



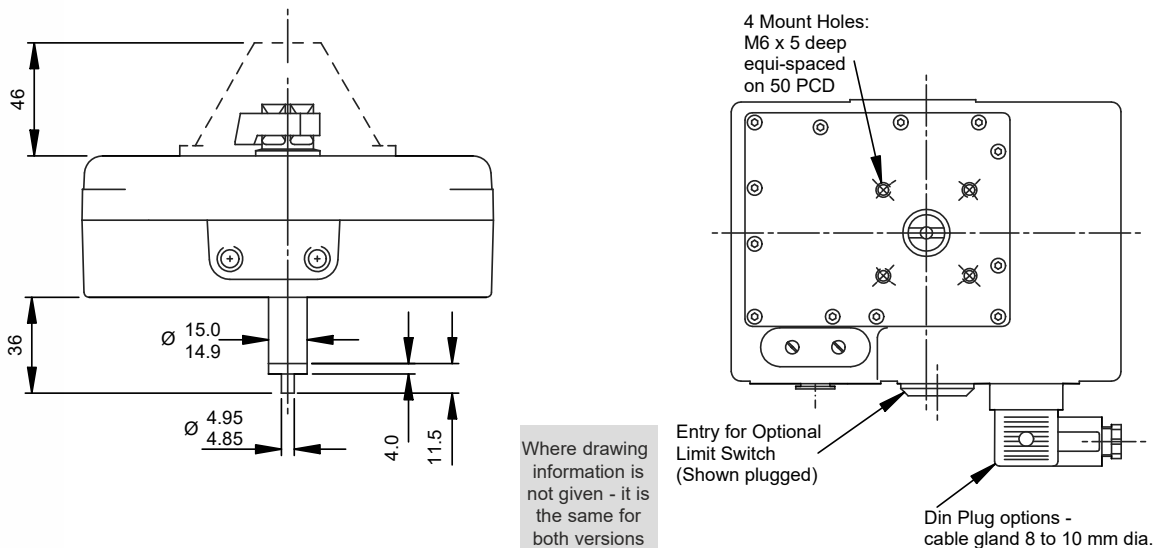
Actuator Model	*Additional Adaptor Dim.	Additional Adaptor Weight
12, 14 & 15	15.5 (0.61")	0.56 kg / 1.21 lbs

EL Positioner shown direct mounted on a Kinetrol 05 actuator

Kinetrol Discrete Version



Namur Discrete Version



Where drawing information is not given - it is the same for both versions